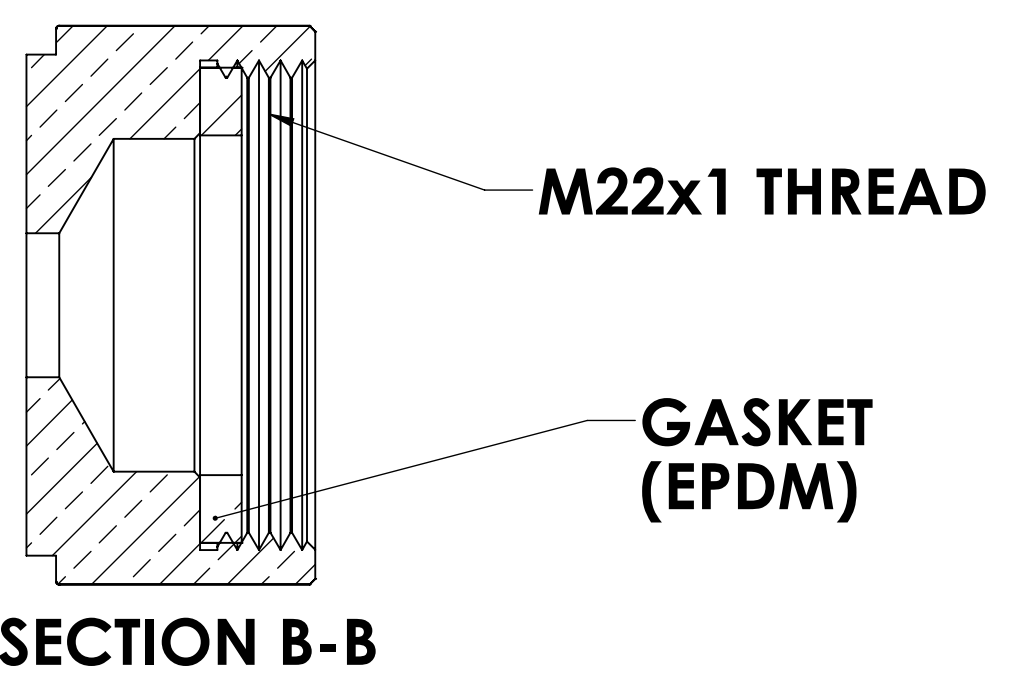
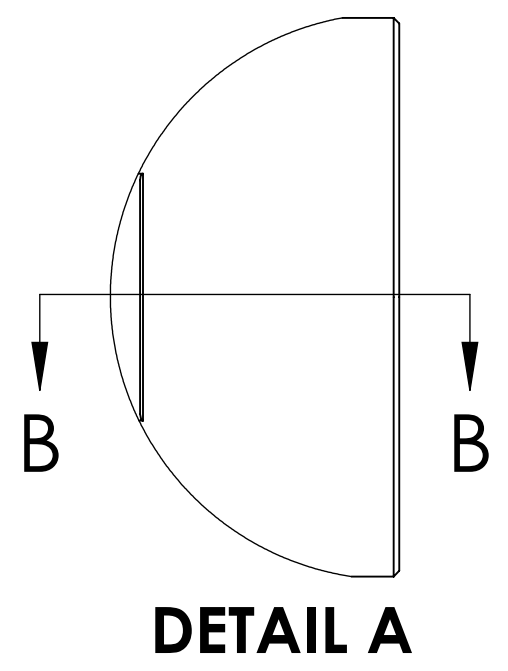
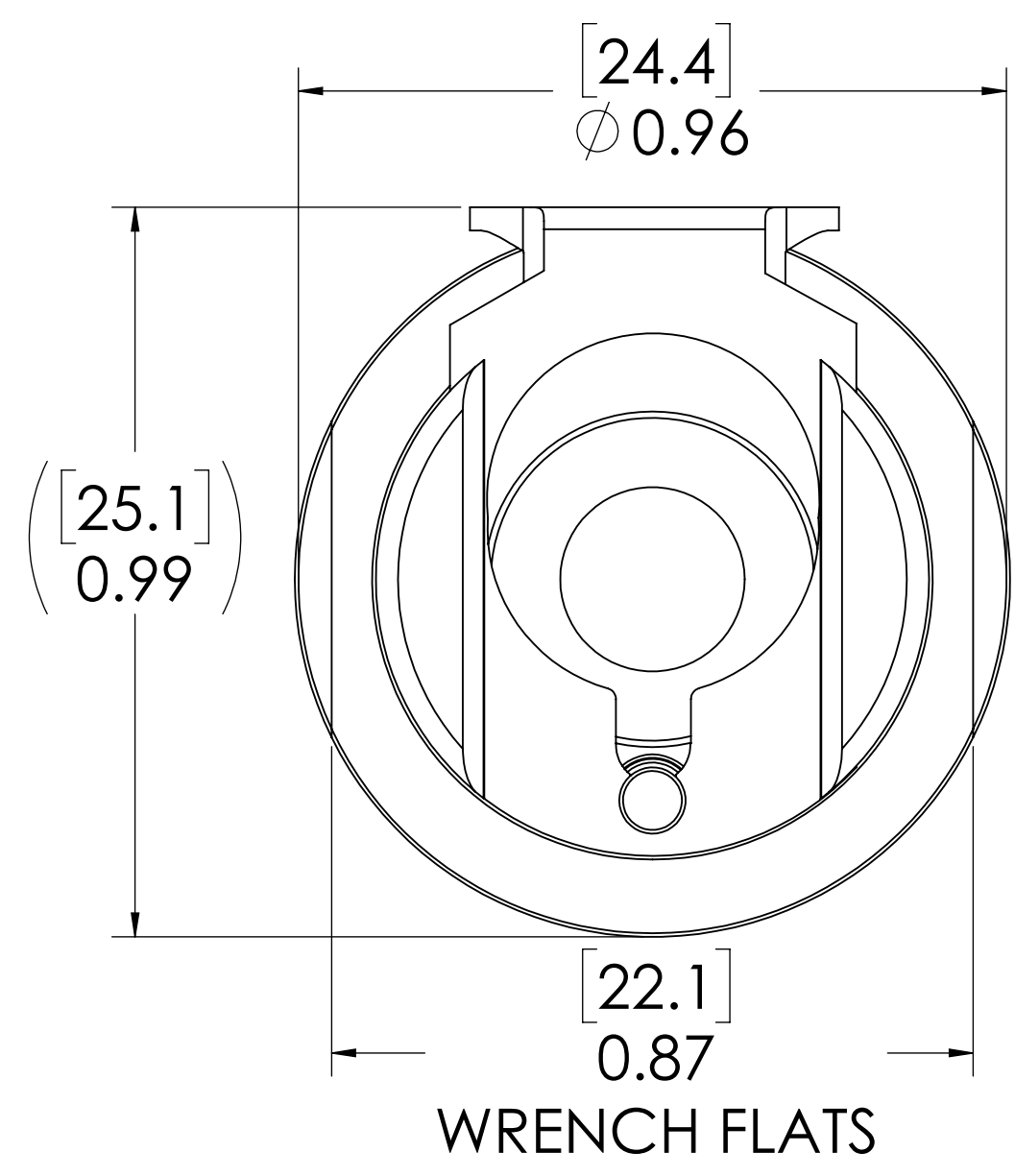
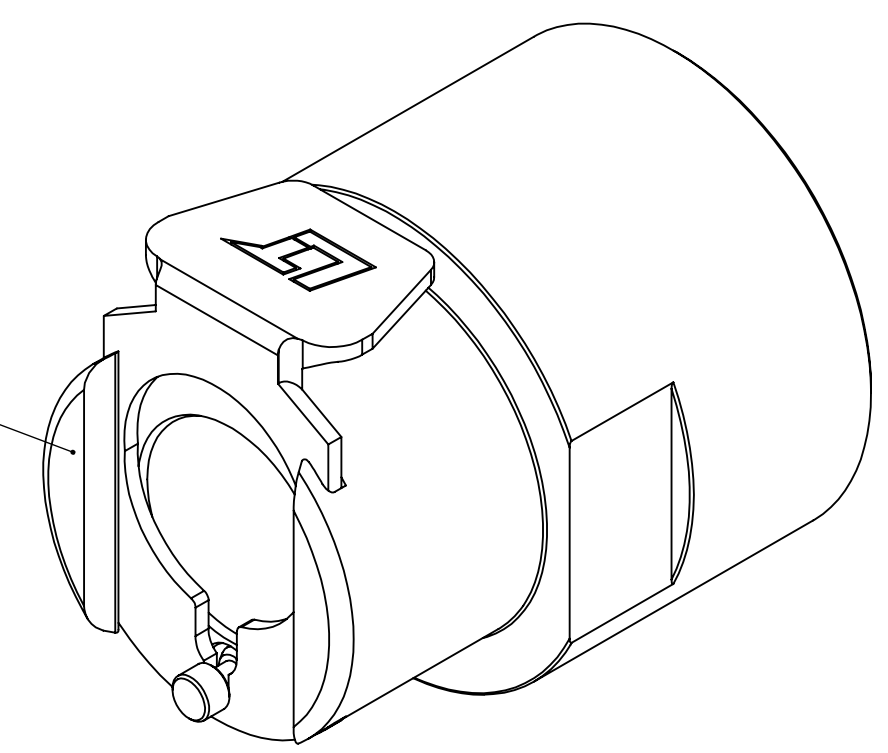


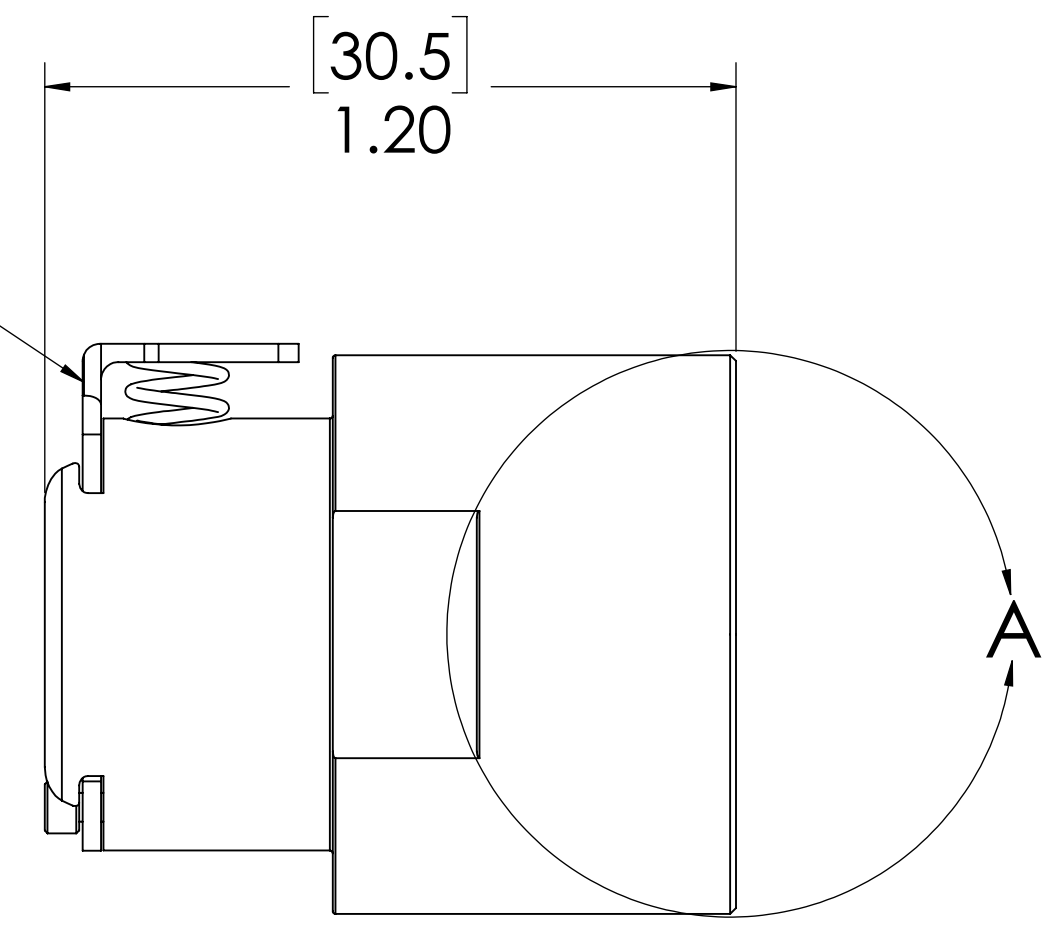
REVISIONS						
SHEET	ZONE	REV.	ECO	DESCRIPTION	DATE	APPROVED
1	ALL	A	50242	PIN, PIN SPRING & 2017 FORMAT UPDATE	10/18/2018	HRC



**SOCKET  
(BRASS, NICKEL &  
CHROME PLATED)**




**LATCH  
(STAINLESS STEEL)**



- NOTES:**
- MATERIAL: BRASS
  - COLOR: CHROME
  - GASKET MATERIAL: EPDM

**FOR REFERENCE ONLY**

<small>UNLESS OTHERWISE SPECIFIED: DIMENSIONS ARE IN INCHES TOLERANCES: FRACTIONAL ± 1/32 ANGULAR, MACH ± 0.5 BEND ± 2 ONE PLACE DECIMAL ± 0.1 TWO PLACE DECIMAL ± 0.01 THREE PLACE DECIMAL ± 0.005 TWO PLACE DUAL (mm) [±0.12]</small>	DRAWN	<b>LDM</b>	<b>2/6/2018</b>	 <b>PART NO: 40CB-S3564</b> <b>DESCRIPTION: LinkTech 40CB Series Female Thread Female, Non-valved, M22 X 1 Thread, Chrome Brass</b>
	CHECKED	<b>HRC</b>	<b>2/6/2018</b>	
	ENG APPR.	<b>HRC</b>	<b>10/18/18</b>	
	MFG APPR.	<b>BDB</b>	<b>10/18/18</b>	
PRODUCTION	<b>LS</b>	<b>10/18/18</b>		<small>PROPRIETARY AND CONFIDENTIAL</small> <small>THE INFORMATION CONTAINED IN THIS DRAWING IS THE SOLE PROPERTY OF LINKTECH LLC. ANY REPRODUCTION OR DISCLOSURE IN PART OR AS A WHOLE WITHOUT THE WRITTEN PERMISSION OF LINKTECH LLC IS STRICTLY PROHIBITED.</small>
COMMENTS:				<small>SIZE DWG. NO. REV</small> <b>C 40CB400249 A</b>
SCALE: NTS WEIGHT:				SHEET 1 OF 1